

TurBiScat PM 40-S0SC with display

How to order?



Instrument cable

Turbidity and color

Communication S1xx

IO: 0/4 ... 20 mA
Modbus RTU IO

Profibus DP PB

Modbus IO PN

PoE – Power over Ethernet
Web-Server & Modbus-TCP PE

Turbidity

Communication S1xx

IO: 0/4 ... 20 mA
Modbus RTU IO

Profibus DP PB

Modbus IO PN

PoE – Power over Ethernet
Web-Server & Modbus-TCP PE

1

2

3

4

5

6

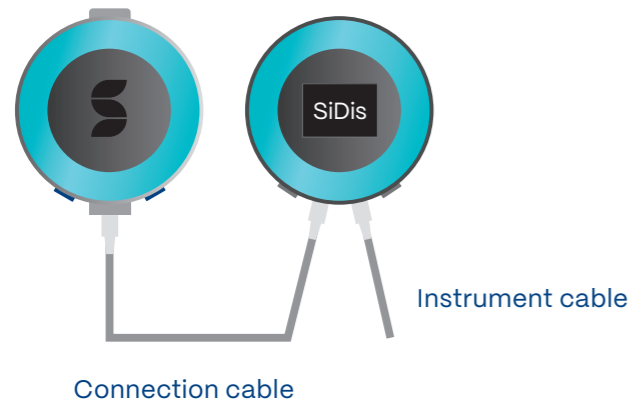
| Photometer Product variants and sets | | | | | | | |
|--|----|---|--|---|--|---|--|
| | | TurBiScat PM 40-S1xx + control unit 10 EBC + blanking plate | | TurBiScat PM 40-S1xx with adaptation of control unit to other TurBiScat + blanking plate | | TurBiScat PM 40-S1xx + blanking plate | |
| | | Incl. device cable (10 m, 8-pin, 1 plug) | | Incl. device cable (10 m, 8-pin, 1 plug) | | Incl. device cable (10 m, 8-pin, 1 plug) | |
| | | 122562 | 122986 | 122669 | 122988 | 122442 | 122984 |
| Profibus DP | PB | 122663 | Bus cable provided by the customer | 122671 | Bus cable provided by the customer | 122632 | Bus cable provided by the customer |
| Modbus IO | PN | 122665 | Bus cable provided by the customer | 122673 | Bus cable provided by the customer | 122633 | Bus cable provided by the customer |
| PoE – Power over Ethernet Web-Server & Modbus-TCP | PE | 122667 | Bus cable provided by the customer | 122675 | Bus cable provided by the customer | 122631 | Bus cable provided by the customer |

| | | TurBiScat PM 40-S1xx + control unit 10 EBC + blanking plate | | TurBiScat PM 40-S1xx with adaptation of control unit to other TurBiScat + blanking plate | | TurBiScat PM 40-S1xx + blanking plate | |
|--|----|---|--|---|--|---|--|
| | | Incl. device cable (10 m, 8-pin, 1 plug) | | Incl. device cable (10 m, 8-pin, 1 plug) | | Incl. device cable (10 m, 8-pin, 1 plug) | |
| | | 122662 | 122985 | 122670 | 122987 | 122441 | 122598 |
| Profibus DP | PB | 122664 | Bus cable provided by the customer | 122672 | Bus cable provided by the customer | 122629 | Bus cable provided by the customer |
| Modbus IO | PN | 122666 | Bus cable provided by the customer | 122674 | Bus cable provided by the customer | 122630 | Bus cable provided by the customer |
| PoE – Power over Ethernet Web-Server & Modbus-TCP | PE | 122668 | Bus cable provided by the customer | 122676 | Bus cable provided by the customer | 122628 | Bus cable provided by the customer |

Supplied without VARINLINE® installation housing, can be ordered separately.
ProfiNet versions from 2024

TurBiScat PM 40-S0SC and SiDis AD40-S1xx

How to order?



Turbidity and color

| Communication | S1xx |
|--|------|
| IO: 0/4 ... 20 mA Modbus RTU | IO |
| Profibus DP | PB |
| Modbus IO | PN |
| PoE – Power over Ethernet Web-Server & Modbus-TCP | PE |

Turbidity

| Communication | S1xx |
|--|------|
| IO: 0/4 ... 20 mA Modbus RTU | IO |
| Profibus DP | PB |
| Modbus IO | PN |
| PoE – Power over Ethernet Web-Server & Modbus-TCP | PE |

- 1
- 2
- 3
- 4
- 5
- 6

| Photometer Product variants and sets | | | | | |
|---|--|---|--|--|--|
| TurBiScat PM 40-S0SC with control unit 10 EBC + SiDis AD 40-S1xx + connection cable photometer to SiDis 8-pin xx m (plug on both sides) + blanking plate | | TurBiScat PM 40-S0SC with adaptation of control unit to another TurBiScat + SiDis AD 40-S1xx + Connection cable photometer to SiDis 8-pin xx m (plug on both sides) + blanking plate | | TurBiScat PM 40-S0xx + SiDis AD 40-S1xx + Connection cable photometer to SiDis 8-pin xx m (plug on both sides) + blanking plate | |
| | Incl. device cable (10 m, 8-pin, 1 plug) | | Incl. device cable (10 m, 8-pin, 1 plug) | | Incl. device cable (10 m, 8-pin, 1 plug) |
| 122685 | 123011 | 123419 | 123427 | 122997 | 123007 |
| 122686 | 123012 | 123420 | 123428 | 122998 | 123008 |
| 122687 | Bus cable provided by the customer | 123421 | Bus cable provided by the customer | 122999 | Bus cable provided by the customer |
| 122688 | | 123422 | | 123000 | |
| 122689 | Bus cable provided by the customer | 123474 | Bus cable provided by the customer | 123001 | Bus cable provided by the customer |
| 122690 | | 123475 | | 123002 | |
| 122691 | Bus cable provided by the customer | 123423 | Bus cable provided by the customer | 123003 | Bus cable provided by the customer |
| 122692 | | 123424 | | 123004 | |

Sigrist connection cable photometer to SiDis 8-pin 5 m with 2 plugs.
Sigrist connection cable photometer to SiDis 8-pin 10 m with 2 plugs.

| TurBiScat PM 40-S0SC with control unit 10 EBC + SiDis AD 40-S1xx + connection cable photometer to SiDis 8-pin xx m (plug on both sides) + blanking plate | | TurBiScat PM 40-S0SC with adaptation of control unit to another TurBiScat + SiDis AD 40-S1xx + Connection cable photometer to SiDis 8-pin xx m (plug on both sides) + blanking plate | | TurBiScat PM 40-S0xx + SiDis AD 40-S1xx + Connection cable photometer to SiDis 8-pin xx m (plug on both sides) + blanking plate | |
|---|--|---|--|--|--|
| | Incl. device cable (10 m, 8-pin, 1 plug) | | Incl. device cable (10 m, 8-pin, 1 plug) | | Incl. device cable (10 m, 8-pin, 1 plug) |
| 122677 | 123009 | 123413 | 123425 | 122989 | 123005 |
| 122678 | 123010 | 123414 | 123426 | 122990 | 123006 |
| 122679 | Bus cable provided by the customer | 123415 | Bus cable provided by the customer | 122991 | Bus cable provided by the customer |
| 122680 | | 123416 | | 122992 | |
| 122681 | Bus cable provided by the customer | 123470 | Bus cable provided by the customer | 122993 | Bus cable provided by the customer |
| 122682 | | 123473 | | 122994 | |
| 122683 | Bus cable provided by the customer | 123417 | Bus cable provided by the customer | 122995 | Bus cable provided by the customer |
| 122684 | | 123418 | | 122996 | |

Sigrist connection cable photometer to SiDis 8-pin 5 m with 2 plugs.
Sigrist connection cable photometer to SiDis 8-pin 10 m with 2 plugs.

Supplied without VARINLINE® installation housing, can be ordered separately.
Profibus versions from Q2 2024; ProfiNet from mid-2024.

TurBiScat PM 40-S0SC and SiCon

How to order?



Turbidity and color

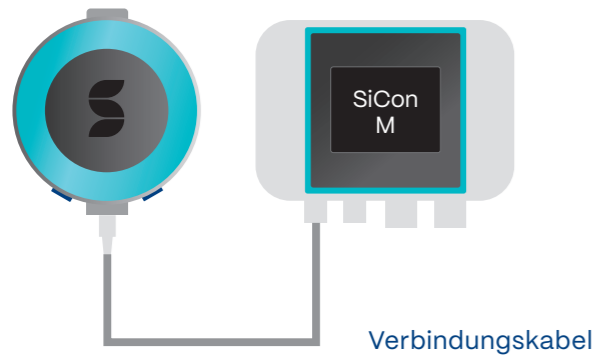
Communication

IO: 0/4 ... 20 mA

Modbus RTU

Profibus DP

Modbus IO



Turbidity

Communication

IO: 0/4 ... 20 mA

Modbus RTU

Profibus DP

Modbus IO

①

②

| Photometer Product variants and sets | |
|--|---|
| TurBiScat PM 40-S0SC with control unit 10 EBC + SiCon + connecting cable photometer to SiCon (10 m, 8-pin, 1 plug) + blanking plate | TurBiScat PM 40-S0SC + SiCon + photometer connection cable to SiCon (10 m, 8-pin, 1 plug) + blanking plate |
| 123130 | 123126 |
| 123435 | 123431 |
| 123436 | 123432 |
| 123131 | 123127 |

Supplied without VARINLINE® installation housing, can be ordered separately.

| | |
|--|---|
| TurBiScat PM 40-S0SC with control unit 10 EBC + SiCon + connecting cable photometer to SiCon (10 m, 8-pin, 1 plug) + blanking plate | TurBiScat PM 40-S0SC + SiCon + photometer connection cable to SiCon (10 m, 8-pin, 1 plug) + blanking plate |
| 123128 | 123124 |
| 123433 | 123429 |
| 123434 | 123430 |
| 123129 | 123125 |

Supplied without VARINLINE® installation housing, can be ordered separately.