

TurbiGuard

How to order?



Communication

IO: 0/4 ... 20 mA

IO: 0/4 ... 20 mA
Modbus RTU

Modbus RTU

Profibus DP

Modbus IO

PoE – Power over
Ethernet – Web-Server
& Modbus-TCP

①

②

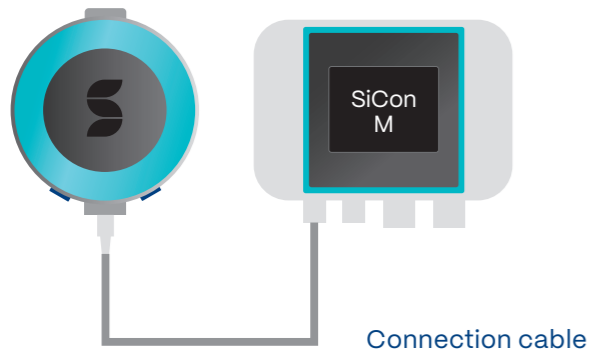
③

④

⑤

TurbiGuard			TurbiGuard + SiDis AD40	
1x TurbiGuard for medium/high turbidity			1x TurbiGuard for medium/high turbidity	
with 1x blanking plate, with 1x device cable 20 m	without blanking plate, with 1x device cable 10 m	without blanking plate, without device cable	1 blanking plate, with 1x device cable 10 m + 1x connection cable 5 m	1 blanking plate, with 1x connection cable 5 m
123353	123352	118674		
			123371	
123355	123354	122715		
		122716		
		122717		
				123373

Supplied without VARINLINE® installation housing, can be ordered separately.



Communication

IO: 0/4 ... 20 mA

Modbus RTU

Profibus DP

Modbus IO



TurbiGuard mit SiCon		
1x TurbiGuard for medium/high turbidity + 1x SiCon		
1x blanking plate 1x device cable 10 m	without blanking plate 1x device cable 10 m	without blanking plate without cable
122722	122718	118674
122723	122719	122715
122724	122720	122716
122725	122721	122717

Supplied without VARINLINE® installation housing, can be ordered separately.

TurbiGuard (Yeast management)

How to order?



1

2

3

System for controlling the yeast pitching (2x TurbiGuard, SiCon M)

2x TurbiGuard + 1x SiCon M

Communication

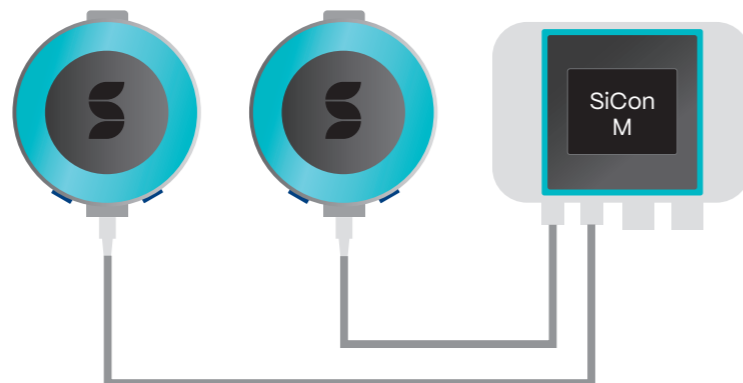
IO: 0/4 ... 20 mA

Modbus RTU

Profibus DP

Profinet IO

	+ 2 blanking plates + 2x device cables 10 m	without blanking plate + 2x device cables 10 m	without blanking plate Without cable
IO: 0/4 ... 20 mA	122734	122730	119427
Modbus RTU	122735	122731	122727
Profibus DP	122736	122732	122728
Profinet IO	122737	122733	122729



Connection cable