

Crew instruction

WMU ScrubberGuard

In case the ScrubberGuard is not working as it should you can follow this instruction for troubleshooting. Please notice these brief instructions to get the instrument up and running again fast.

Operating conditions:

Inflow to the ScrubberGuard	4-20	L/min.
Inflow pressure	0-3	bar
Outflow backpressure	3	bar max.

Control elements

1- Main switch	ON / OFF
2- Remote signal	remotely controlled when lit up
3- Measurement ON / OFF	Starts / stops measurement
4- Loop Spiking mode	internal circulation only, no measurement
5- Drain tank	activates drain pump while pressing the button



Common issues – check first

Operating conditions – are outside of the ranges above, please verify and adjust.

Water problems – countermeasures:

- Perform the **monthly check** as described in the manual.
- Check correct **functioning of the tank level sensor** (2nd page).
- Verify that **nothing is logged**.
- Check the water pumps, check if drain works
- Verify the correct **Menu/Ok/Local/Scrubber/Configuration/Mode** setting

Flashing button – A flashing button means fault. To reset the fault, push the flashing button. Only one button at the time can be active. If the button doesn't react and is flashing, then the control mode is probably set to external/remote. That means the system is controlled remotely. Turn off the external control or navigate to: **Menu/Ok/Local/Scrubber/Configuration** on the right-hand side instrument (AquaScat) to set the control to Local.

Menu\Scrubber		Local 1/1		
		Nominal	Actual	
A1 Flow Tu		6.0	2.7	●
A2 Flow Oi		6.0	6.1	●
C8 Flow In		4.0	13.5	●
Configuration		V:08 L:041 H:11	S:1 U:0h C:0h P:0	●
Meas	Menu	ESC		

Nominal values –

Are the nominal values correct?
 The flow A1 and A2 through the measuring instruments must be 6L/min.
 The flow In C8 must be set to 4L/min.
 A2 must be zero when no oil measurement is present.

Status code – the status code can help you to find the problem, you'll find the meaning of the code in the reference handbook chapter 3.2.2.5

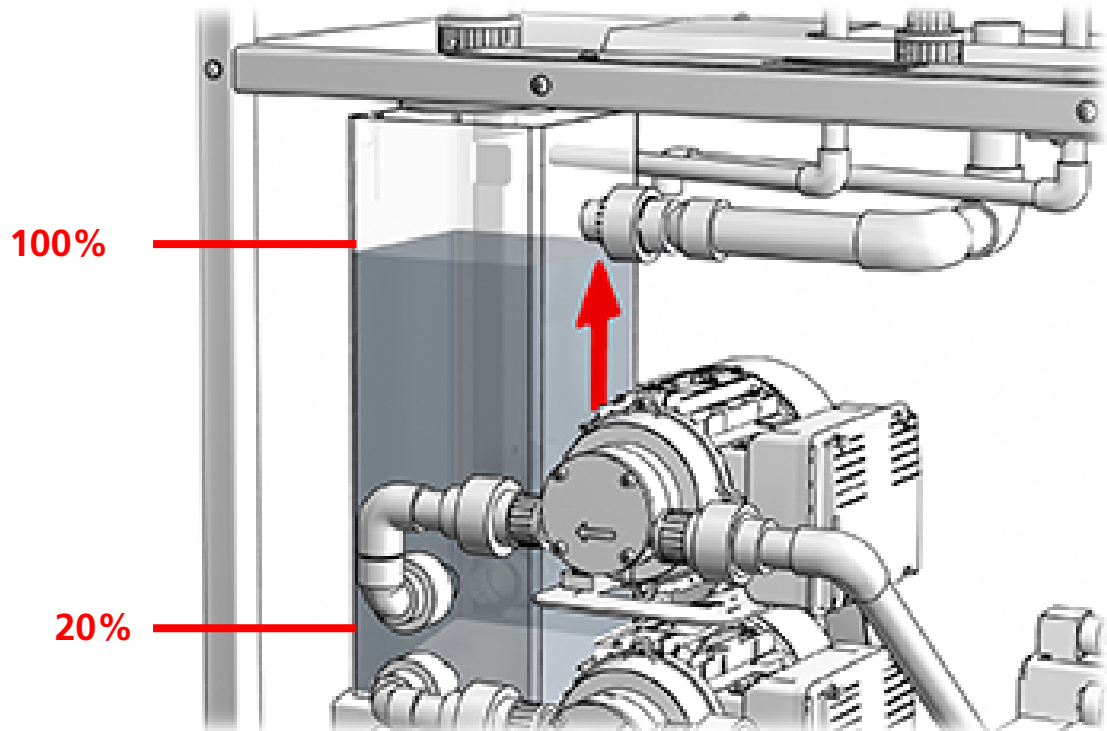
Check function of tank level sensor:

1. Drain tank
2. Navigate to: **Menu/OK/Local/Scrubber**
3. Fill up the tank, observe the L value
Does the L value in % increase with the tank level?

A pressure sensor is at the back side of the tank.
This sensor measures the tank level.
The system tries to keep the tank level at +/- 50%

Menu\Scrubber		Local 1/1	
	Nominal	Actual	
A1 Flow Tu	6.0	2.7	●
A2 Flow Oi	6.0	6.1	●
C8 Flow In	4.0	13.5	●
Configuration	V:08	L:041	t:11
	S:1	M:0.0	P:0

Meas Menu ESC



Documentation – help yourself

A folder that contains the manuals comes with every WMU. The manuals are also available online. Take time to study the manuals and get familiar with the instrument.

Support – detailed information

To give you support in the best way the following information are necessary:

- Serial number of the ScrubberGuard (e.g. 297001)
- Fault message on the display
- Status code **Menu/OK/Local/Scrubber** (picture above)
- Detailed pictures with a good quality/resolution
- Detailed description of the situation and problem
- Detailed description of the measures already taken