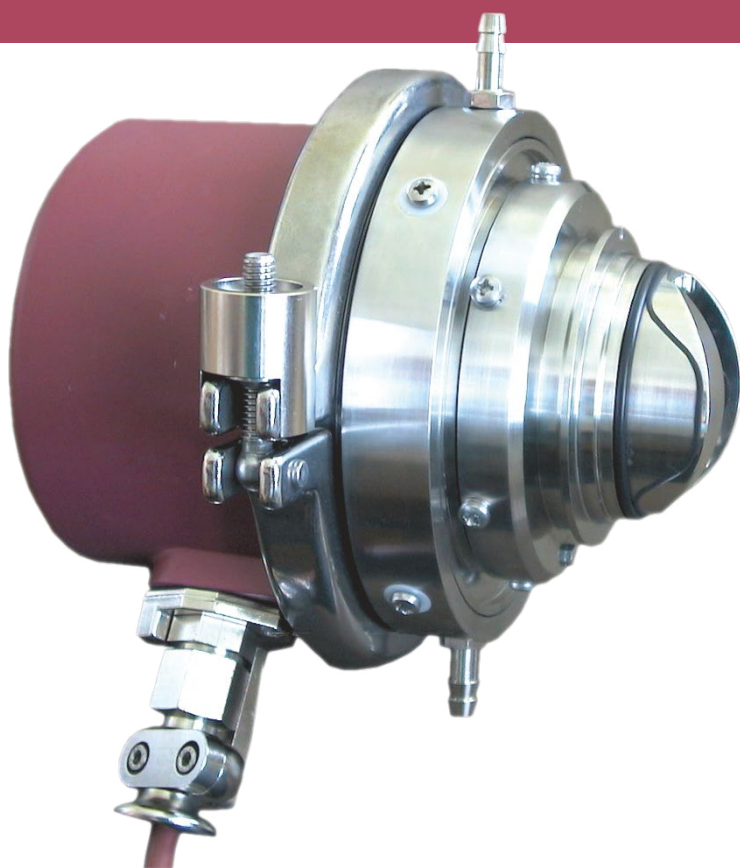


DualScat Ex

In-line turbidimeter in Ex-version



Applications

- Measuring turbidity in processes
- Filtration monitoring and controlling
- Turbidity in produced water
- Measuring of dispersed oil traces
- Determination of water and solids concentration in Kerosene
- Turbidity of Whisky (cold filtration)

Industries

- Chemical-/Petrochemical industry
- Oil production
- Aviation fuels
- Spirits

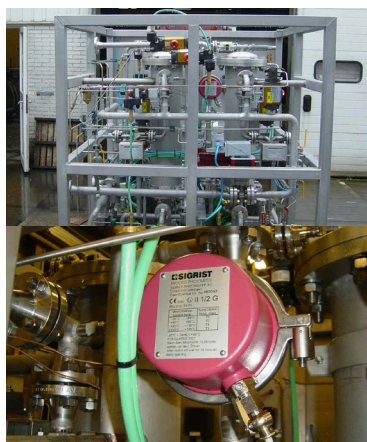
Advantages

- Single- or dual-angle measurement with one sensor head
- Protection class zone 1, Ex db IIC T3/T4/T5/T6 Ga/Gb
- Measuring span 0 .. 2'000 NTU
- Easy installation using standard in-line housing
- Hygienic design
- Dual-beam measurement for colour compensation and window fouling
- Easy adjustment with calibration unit
- Various housing, window and sealing materials available
- Sensor check function

DualScat Ex

In-line turbidimeter in Ex-version

Innovations with tangible benefits



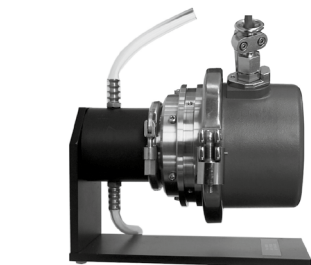
Turbidity measurement in hazardous areas

A large number of applications for turbidity measurement necessitate an ex-proof version. Examples can be found in monitoring separation processes in the chemical and petrochemical industry as well as in monitoring the filtration of produced water in the oil production. The DualScat Ex offers flexible solutions. A selection of seals, windows and the optional design of the sensor head in Hastelloy allow the assembly of the right system configuration for nearly all applications.



Reliable measurement

The DualScat Ex makes use of a dual-beam measurement method which has been tried and tested for years. Transmitted light, 90° scattered light and (optional) 25° forward scattered light are measured simultaneously with an energy-saving LED light source. During calculation of the measured values, colour-related absorption in the medium, window fouling and light source fluctuations are automatically compensated.



Monitored reliability

The DualScat Ex deploys a sensor check function that checks the readings' plausibility at fixed intervals or upon manual initiation.

For subsequent checking of the factory calibration, a calibration unit with a solid reference is available that eliminates the need to handle Formazine.



Continuous ex-protection

The DualScat Ex is operated either with the SIREL SMD control unit in a safe zone or directly in the Ex area with the SIREL Ex control unit with full range of function.

Technical data

Sensor:

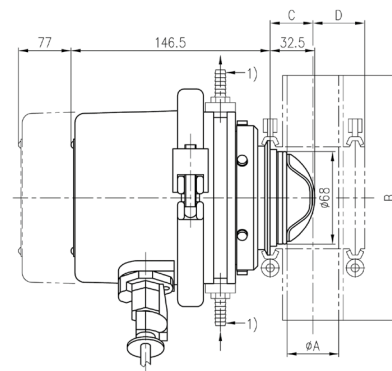
Measuring principle:	90°/25° scattered light
Wave length:	LED 650 nm
Measuring span:	0 .. 2000 NTU
Measuring ranges:	8, freely configurable
Installation:	In-line housing Varivent® or compatible
Sensor head material:	Stainless steel 1.4435 (316L), optional Hastelloy C-276
Windows:	Borosilicate glass or sapphire
Seals:	NBR, EPDM, FPM or FFPM
Housing:	Aluminium cast housing (GK-ALSi 13/Silavont 15), 2-component synthetic resin finish
Sample temperature:	-20 .. 80 °C/max. 120 °C/1 h
Pressure:	max. 20 bar
Ambient temperature:	-20 .. +50 °C
Cooling (required):	At 80 °C medium temperature at an ambient temperature of 50 °C.

Flow rate:	20 l/h
Ambient humidity:	0 .. 100 % rel. hum.
Protection type:	IP65
Ex-proof type/Temperature class:	Ex db IIC T3/T4/T5/T6 Ga/Gb
Operating voltage:	24 VDC (supplied by the control unit)
Power input:	5 W
Dimensions:	ca. 160 mm x Ø 200 mm
Weight:	ca. 6.4 kg

Control unit

SIREL SMD / SIREL Ex:

Power supply:	85 .. 264 V, 47 .. 63 Hz or 24 VDC
Power input:	25 W
Display:	LC display with plain text information
Output:	2 x 0/4 .. 20 mA, max. 600 Ω max. 24V with electrical isolation, max. 50V against earth. 2 x relay contacts max. 250 VAC, max. 4A Digital in- and outputs, max. 5V
Dimensions:	SIREL SMD: 200 x 157 x 96 mm SIREL Ex: 320 x 645 x 203 mm
Weight:	SIREL SMD: approx. 1.5 kg SIREL Ex: approx. 25 kg
Protection type:	SIREL SMD: IP65 SIREL Ex: IP66



Your representative:



photometer.com/d671

SIGRIST
PROCESS-PHOTOMETER

SIGRIST-PHOTOMETER AG

Hofurlistrasse 1 · CH-6373 Ennetbürgen
Tel. +41 41 624 54 54 · Fax +41 41 624 54 55
www.photometer.com · info@photometer.com